

IF IN DOUBT ASK

BREAK ALL SHARP EDGES

## DELIVERY CONDITIONS

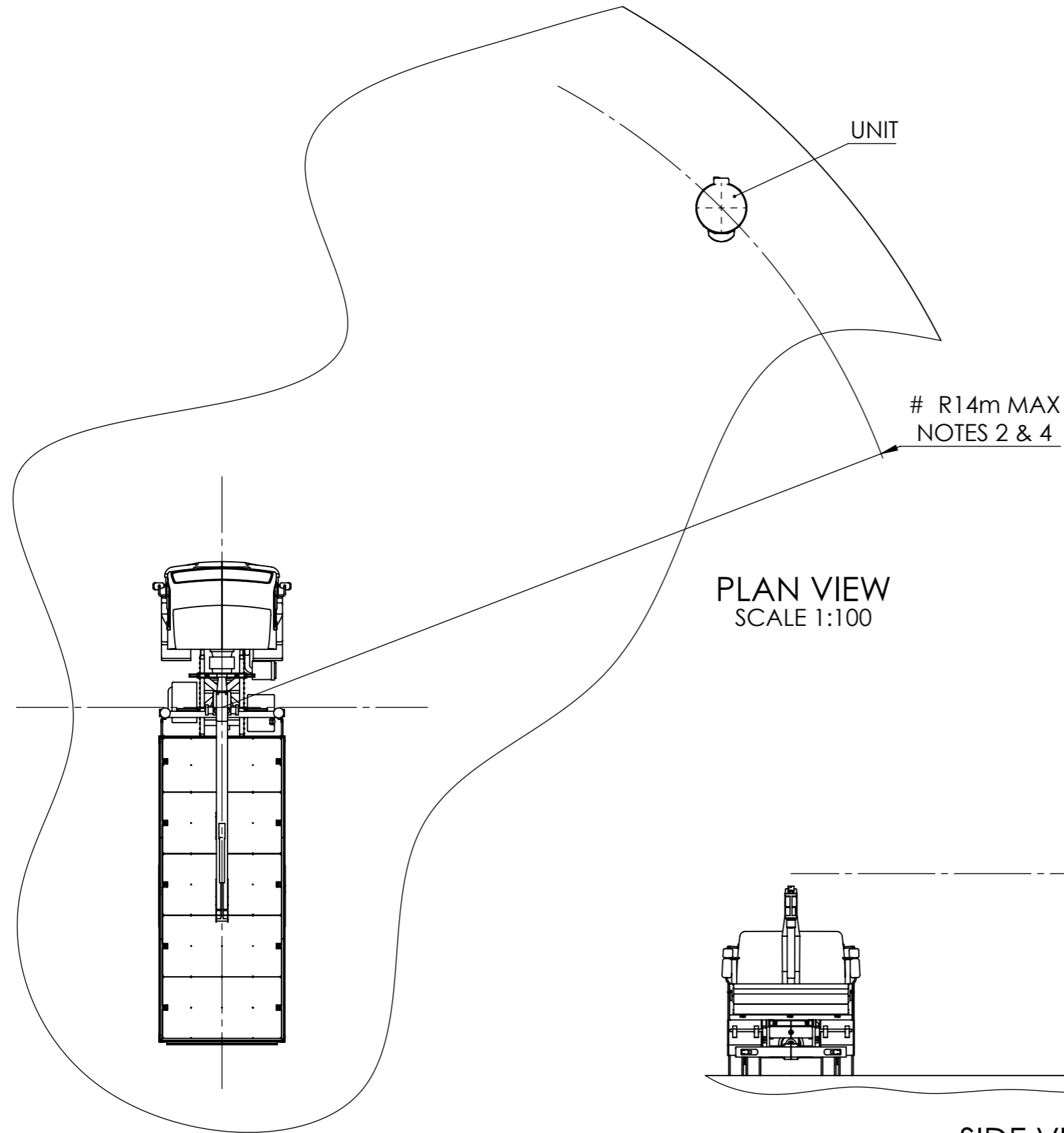
NOTES:

1. ENSURE SUFFICIENT ACCESS FOR TRUCK TO PROPERTY.
  - EG CLEARANCE BELOW POWER CABLES.
2. CONFIRM CLOSEST TRUCK UNLOADING LOCATION TO INSTALLATION & MEASURE DISTANCE.
3. MEASURE HEADROOM OF EXTERNAL DOORWAY IF LANDING OF UNIT INSIDE.
4. TRUCK SPECIFICATION:
  - MAX REACH OF JIB MARKED #.
  - MIN CLEARANCE HEIGHT FOR JIB DURING UNLOAD MARKED \*.

IF # & \* SATISFIED IN NOTES 2 & 3 FOR INTERNAL LANDING, ENSURE SURFACE SUITABLY SMOOTH FOR MANEUVERING UNIT INTO FINAL LOCATION.

IF # **OR** \* EXCEEDED IN NOTES 2 & 3, IDENTIFY SUITABLE EXTERNAL LANDING ZONE & CONFIRM SURFACE INTEGRITY.

  - EG GRAVEL/LOOSE DRIVE WILL REQUIRE APPROPRIATE SHEETING FOR TRANSFER OF UNIT TO INSTALLATION.
5. SEE SHEET 2 FOR INTERNAL INSTALLATION REQUIREMENTS.
6. SEE SHEET 3 FOR EXTERNAL INSTALLATION REQUIREMENTS.
7. SEE SHEET 4 FOR WARMSTONE PLUMBING CONNECTIONS.



PLAN VIEW  
SCALE 1:100

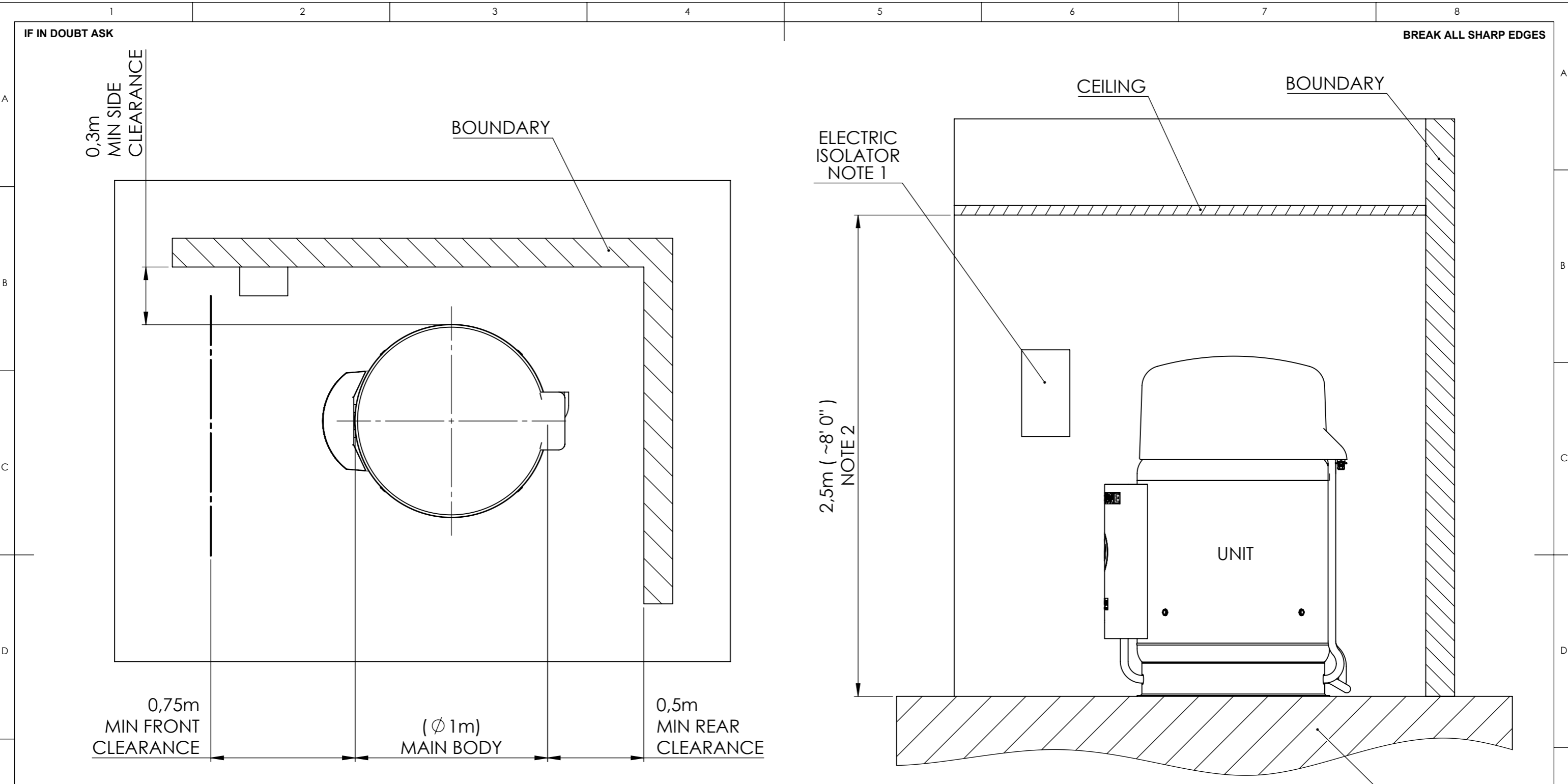
SIDE VIEW  
SCALE 1:100

DESCRIPTION					SHEET
<b>SITE INSTALLATION</b>					1 of 4
	SCALE	SHEET SIZE	UNIT MASS	DRAWING No.	REVISION
	1:20	A3	2000kg	1-01-0750	A



CALDERA HEAT BATTERIES LTD. (COMPANY No: 11020413)  
7 BRUNEL WAY, SEGNSWORTH EAST, FAREHAM,  
HAMPSHIRE PO15 5TX  
+44 (0)1489 565024  
www.caldera.co.uk  
guy.winstanley@caldera.co.uk

DESIGNED	JAMES HUTCHINSON
DRAWN	JAMES HUTCHINSON
CHECKED	KRISH CHANA 05/11/2021



PLAN VIEW  
NOTE 3

SIDE VIEW  
NOTE 4

**INTERNAL LOCATION**

- NOTES:
1. 3m OF CABLE SUPPLIED TO ALLOW REMOTE LOCATION OF ELECTRIC ISOLATOR AT SUITABLE HEIGHT.
  2. MINIMUM CEILING HEIGHT FOR COVER REMOVAL/ASSEMBLY.
  3. FINAL POSITION TO SATISFY DIMENSIONS SHOWN ABOVE.
  4. ENSURE SUITABLE FOUNDATION FOR SITING 2000kg VESSEL.

DESCRIPTION				SHEET	
<b>SITE INSTALLATION</b>				2 of 4	
	SCALE	SHEET SIZE	UNIT MASS	DRAWING No.	REVISION
	1:20	A3	2000kg	1-01-0750	A

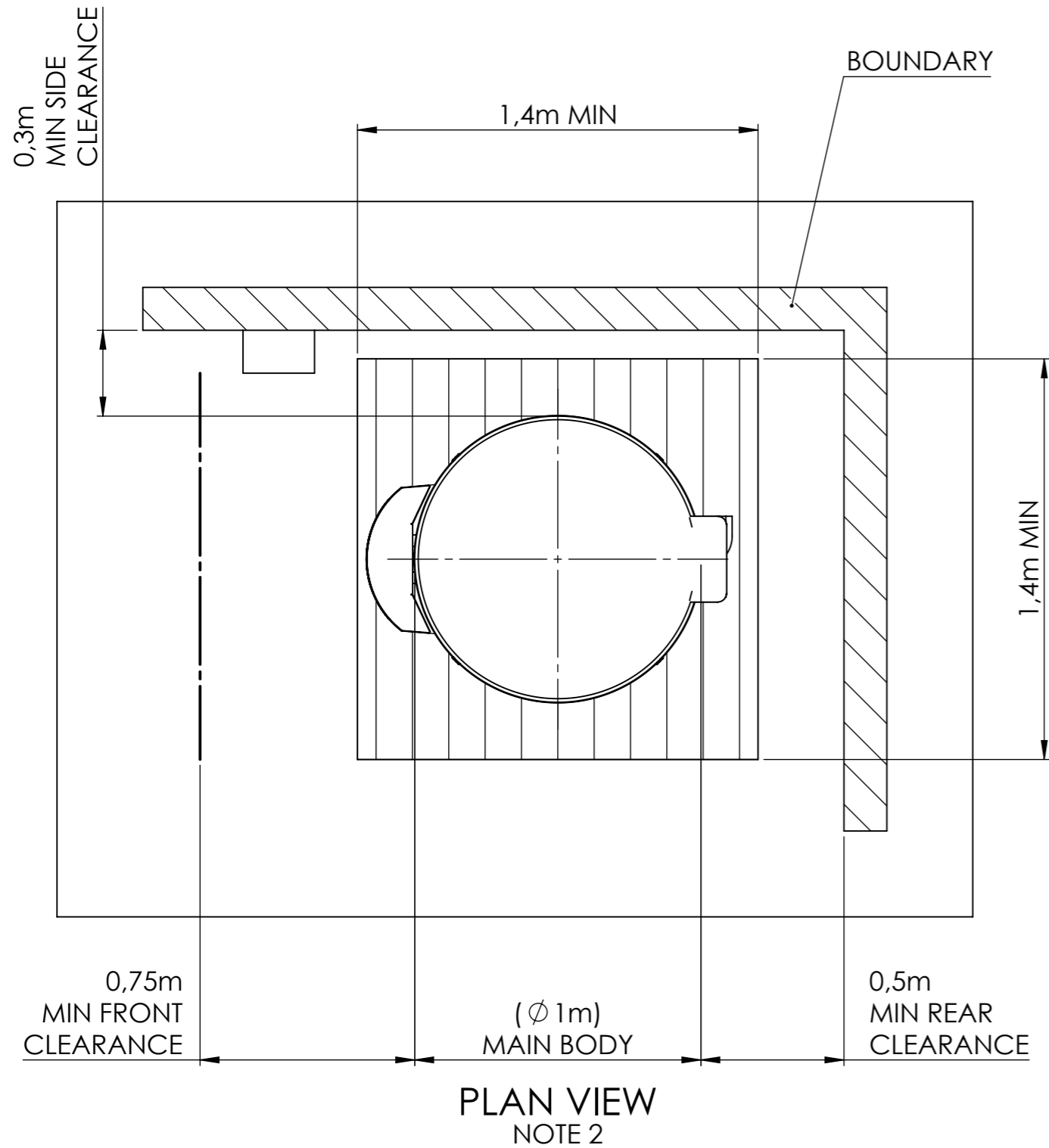


CALDERA HEAT BATTERIES LTD. (COMPANY No: 11020413)  
 7 BRUNEL WAY, SEGENSWORTH EAST, FAREHAM,  
 HAMPSHIRE PO15 5TX  
 +44 (0)1489 565024  
 www.caldera.co.uk  
 guy.winstanley@caldera.co.uk

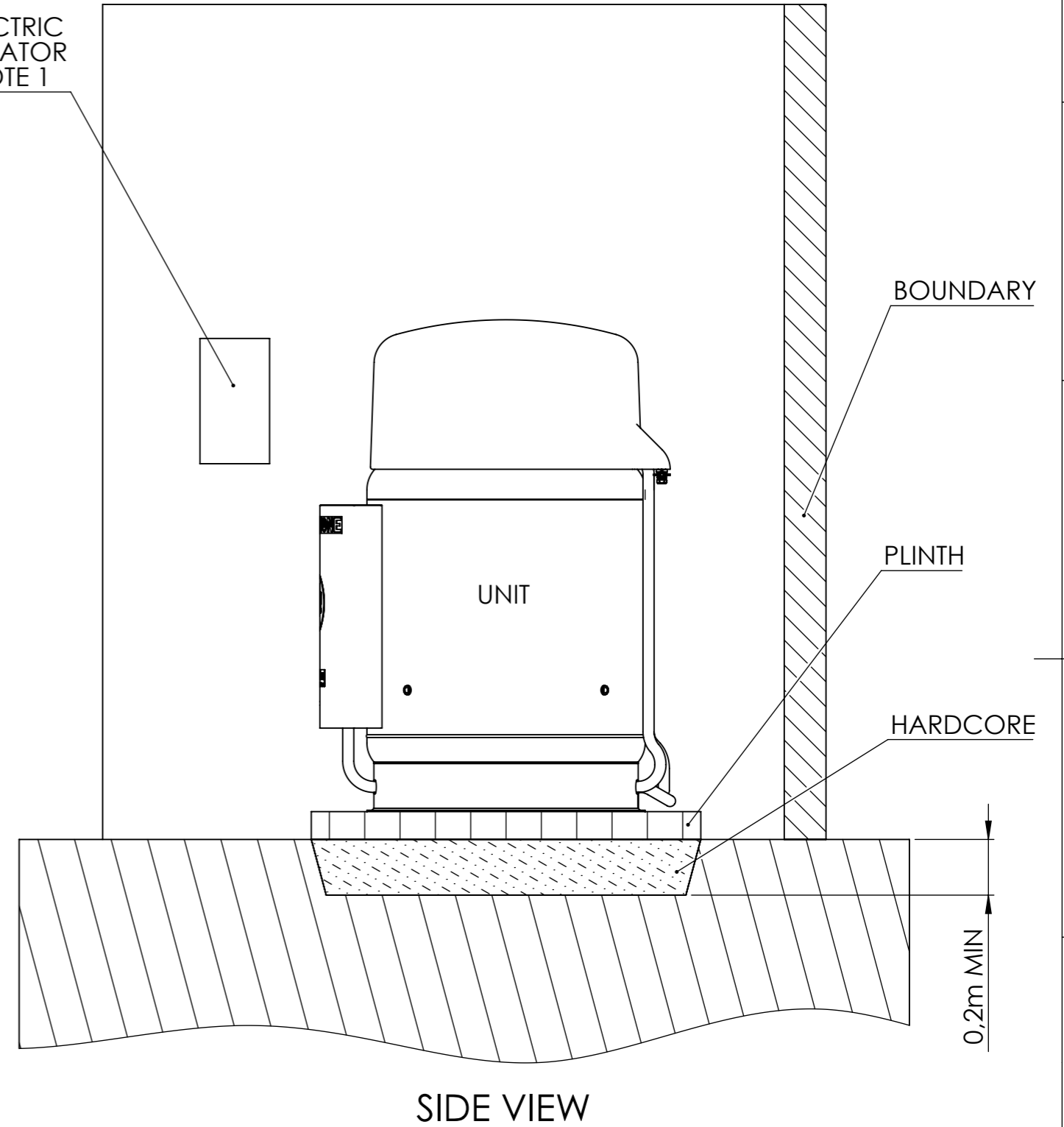
DESIGNED	JAMES HUTCHINSON
DRAWN	JAMES HUTCHINSON
CHECKED	KRISH CHANA 05/11/2021

IF IN DOUBT ASK

BREAK ALL SHARP EDGES



ELECTRIC ISOLATOR  
NOTE 1



## EXTERNAL LOCATION

NOTES:

- 3m OF CABLE SUPPLIED TO ALLOW REMOTE LOCATION OF ELECTRIC ISOLATOR AT SUITABLE HEIGHT.
- UNIT TO BE CENTRED ON PLINTH.  
PLINTH TO BE POSITIONED TO SATISFY DIMENSIONS SHOWN ABOVE.



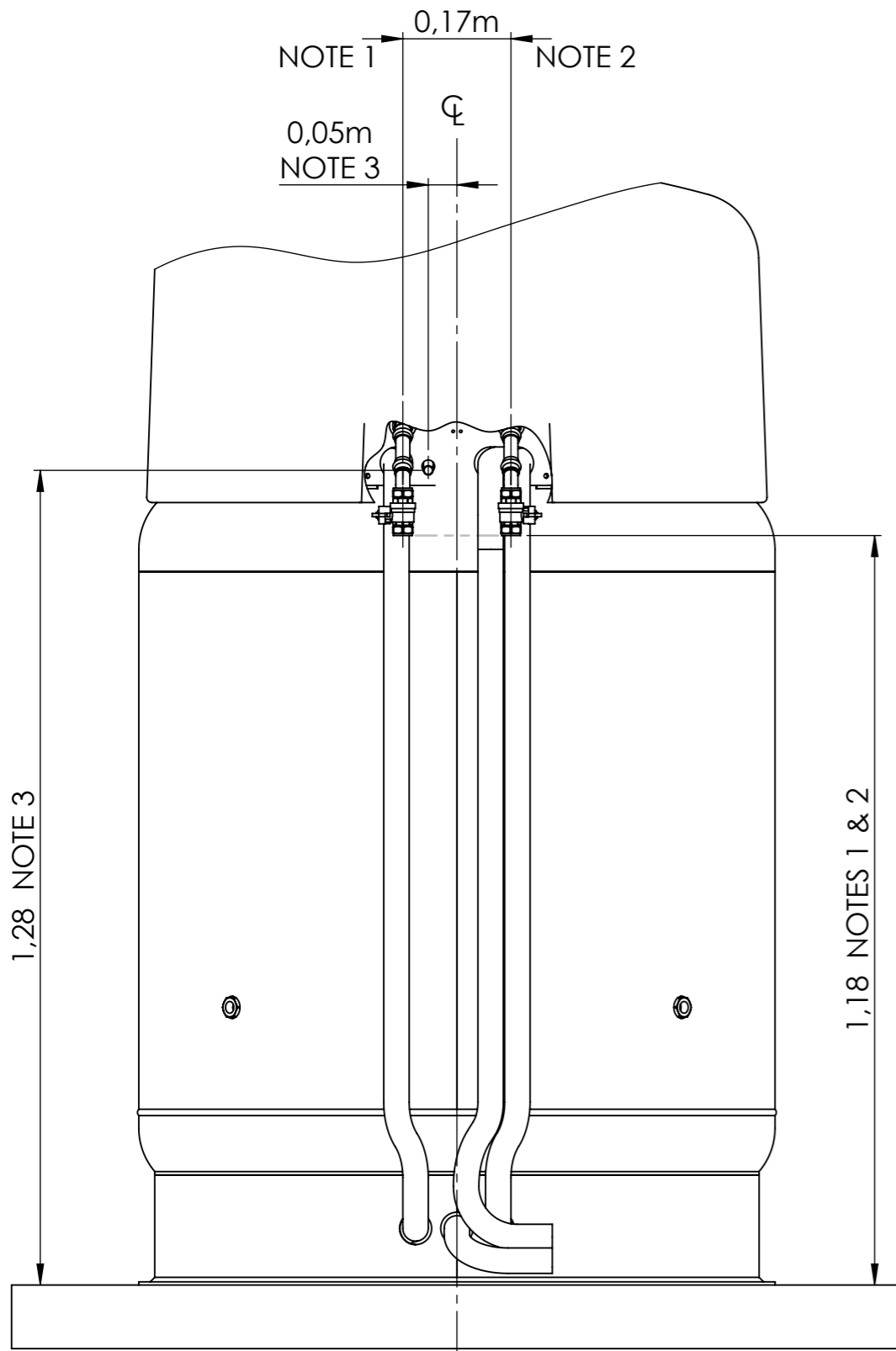
CALDERA HEAT BATTERIES LTD. (COMPANY No: 11020413)  
7 BRUNEL WAY, SEGENSWORTH EAST, FAREHAM,  
HAMPSHIRE PO15 5TX  
+44 (0)1489 565024  
guy.winstanley@caldera.co.uk  
www.caldera.co.uk

DESIGNED	JAMES HUTCHINSON
DRAWN	JAMES HUTCHINSON
CHECKED	KRISH CHANA 05/11/2021

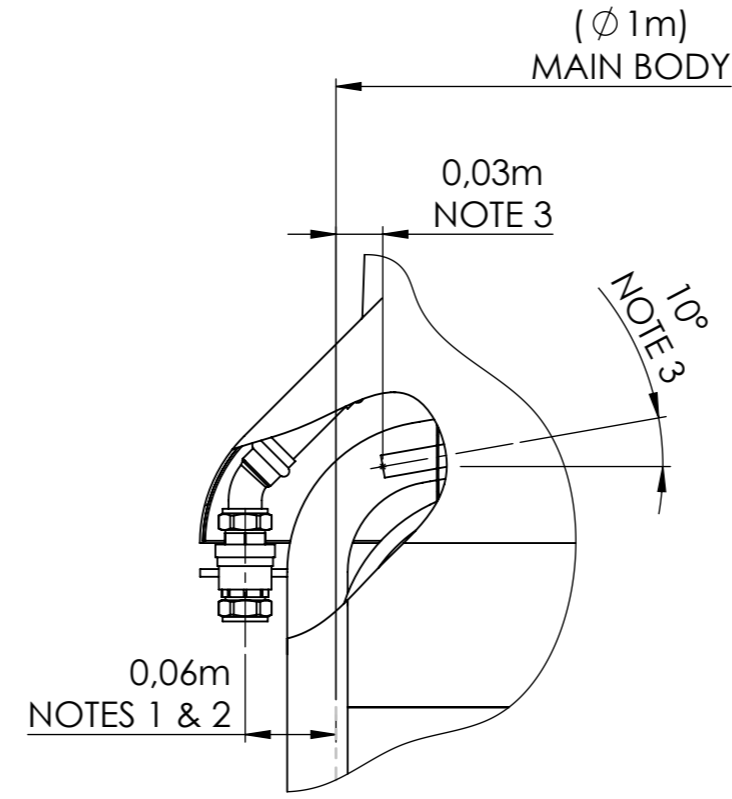
DESCRIPTION					SHEET
<b>SITE INSTALLATION</b>					3 of 4
	SCALE	SHEET SIZE	UNIT MASS	DRAWING No.	REVISION
	1:20	A3	2000kg	1-01-0750	A

IF IN DOUBT ASK

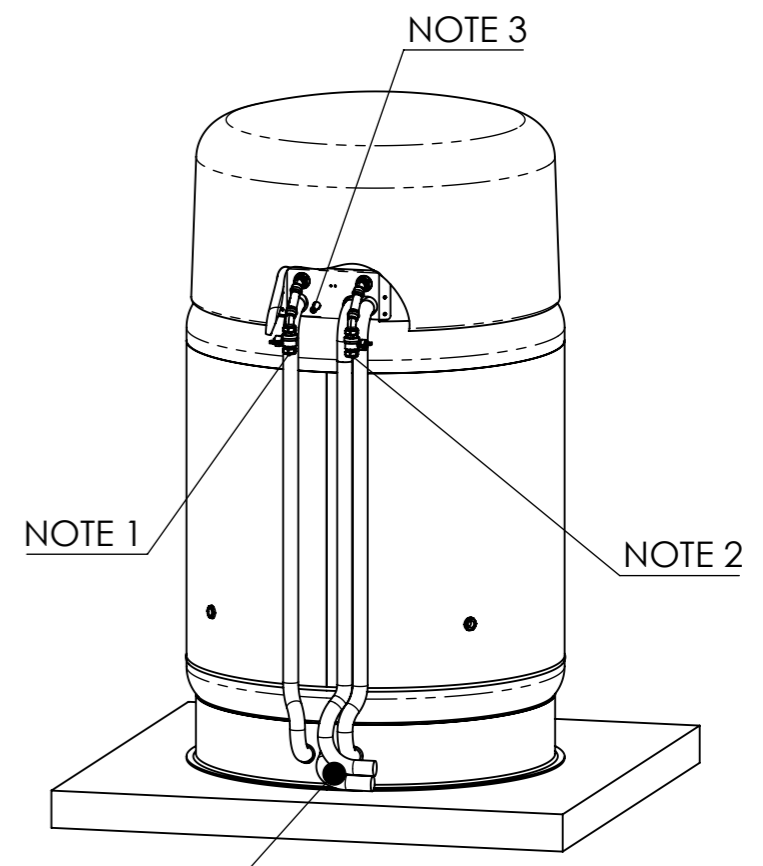
BREAK ALL SHARP EDGES



REAR VIEW  
SCALE 1 : 10



SIDE VIEW  
SCALE 1 : 5



ISO VIEW

**WARMSTONE UNIT  
PLUMBING CONNECTIONS**

NOTES:

1. HOUSE RETURN - BLUE ISOLATOR Ø22mm COMPRESSION.
2. HOUSE FLOW - RED ISOLATOR Ø22mm COMPRESSION.
3. ANGLED DRAIN POINT - Ø15mm PIPE.
4. 3m LOOSE CABLE IN CONDUIT (2x) SUPPLIED FROM THIS POINT. INSTALLERS TO OBSERVE SITE SPECIFIC ELECTRICAL & PLUMBING SCHEMES.

DESCRIPTION					SHEET 4 of 4
SITE INSTALLATION					
	SCALE	SHEET SIZE	UNIT MASS	DRAWING No.	REVISION
	1:20	A3	2000kg	1-01-0750	A



CALDERA HEAT BATTERIES LTD. (COMPANY No: 11020413)  
7 BRUNEL WAY, SEGENSWORTH EAST, FAREHAM,  
HAMPSHIRE PO15 5TX  
+44 (0)1489 565024  
www.caldera.co.uk  
guy.winstanley@caldera.co.uk

DESIGNED	JAMES HUTCHINSON
DRAWN	JAMES HUTCHINSON
CHECKED	KRISH CHANA 05/11/2021