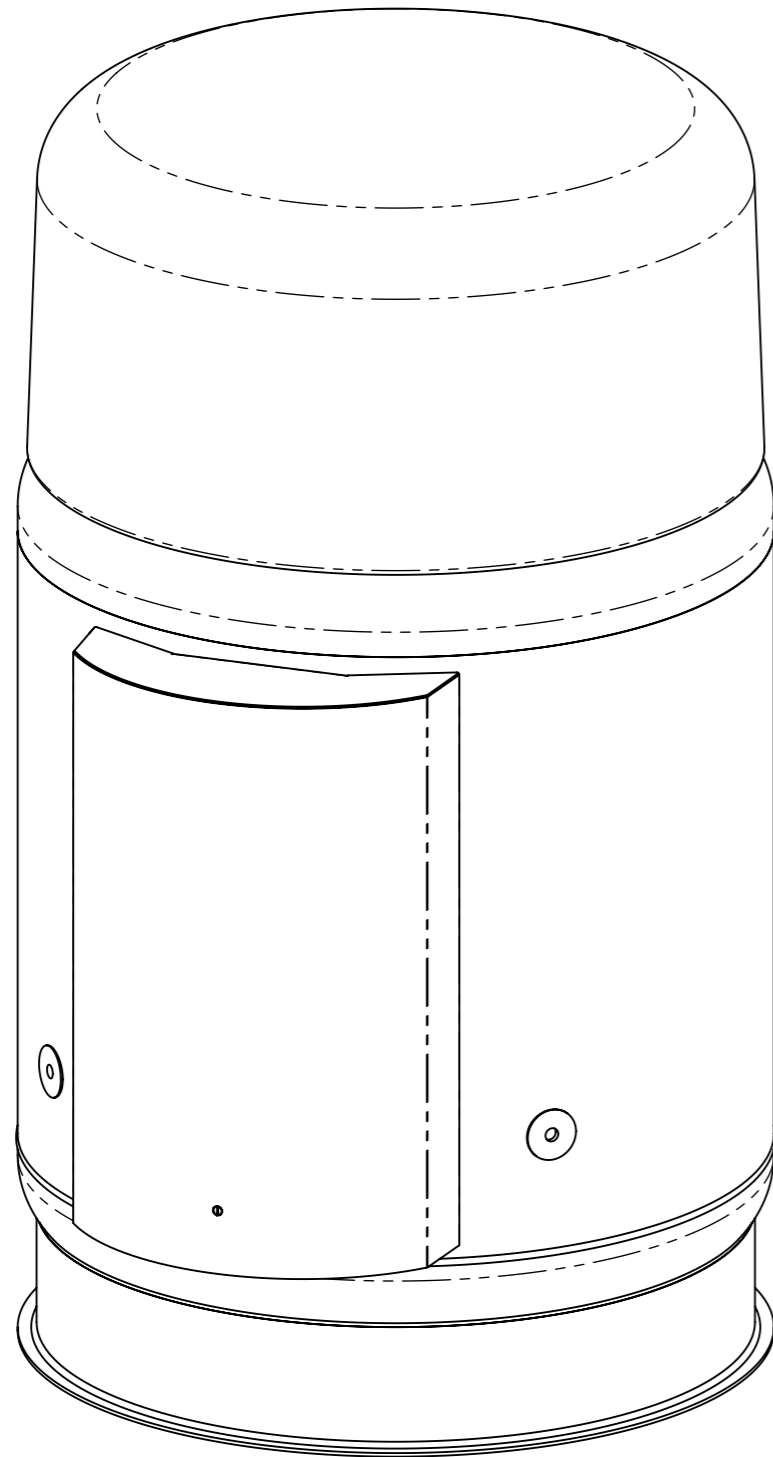
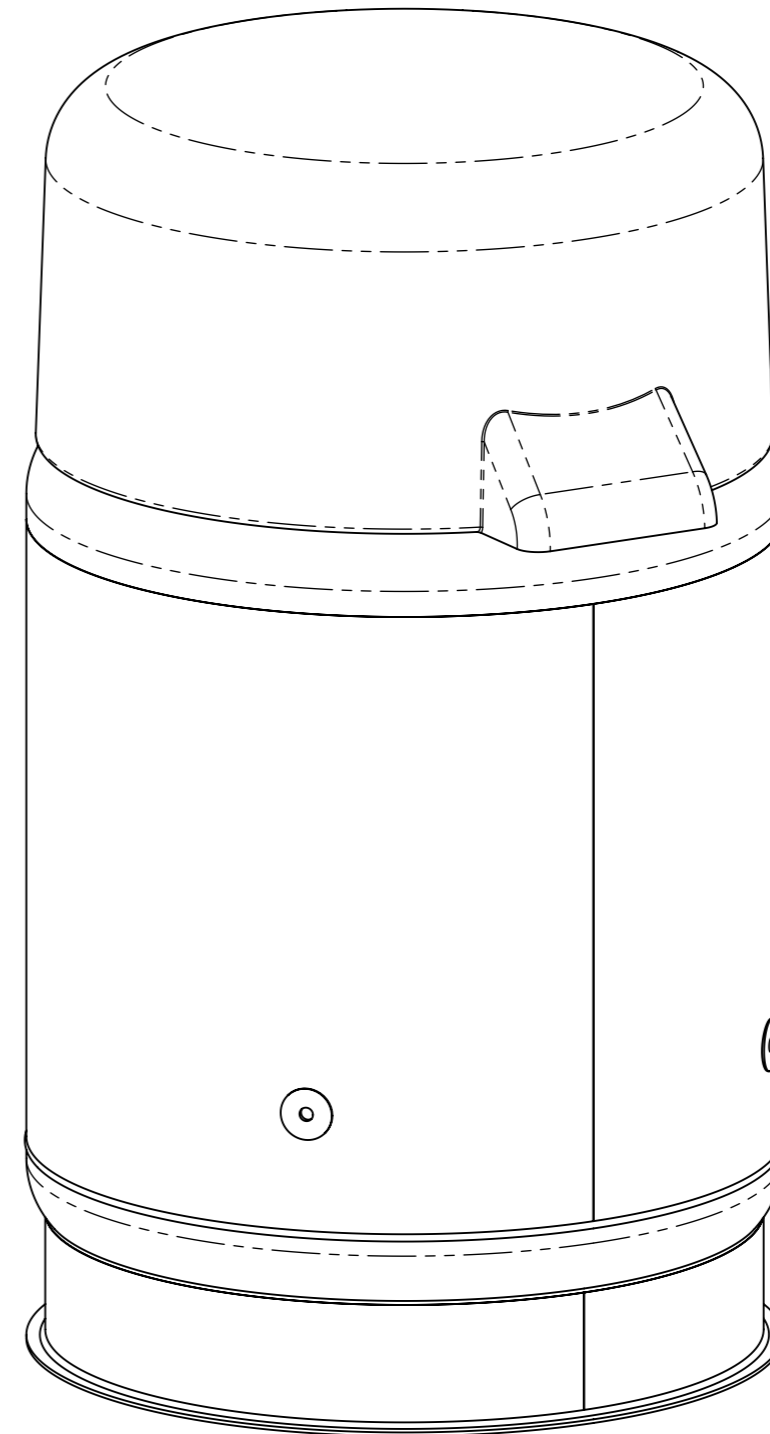


IF IN DOUBT ASK

BREAK ALL SHARP EDGES



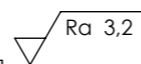
FRONT ISO



REAR ISO

UNLESS OTHERWISE STATED:

ALL DIMENSIONS: mm
 TOLERANCING: ISO 8015(AD)1-5-00-001
 THREAD CLASS: 6g6H
 TOLERANCES: LINEAR ±10 ANGULAR ±5°



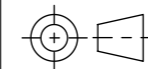
MATERIAL
 SEE PART DRAWINGS

DESCRIPTION
 OUTLINE - WARMSTONE HEAT BATTERY

SHEET
 1 of 2

DESIGNED	JAMES HUTCHINSON
DRAWN	JAMES HUTCHINSON
CHECKED	GUY WINSTANLEY 24/08/2021

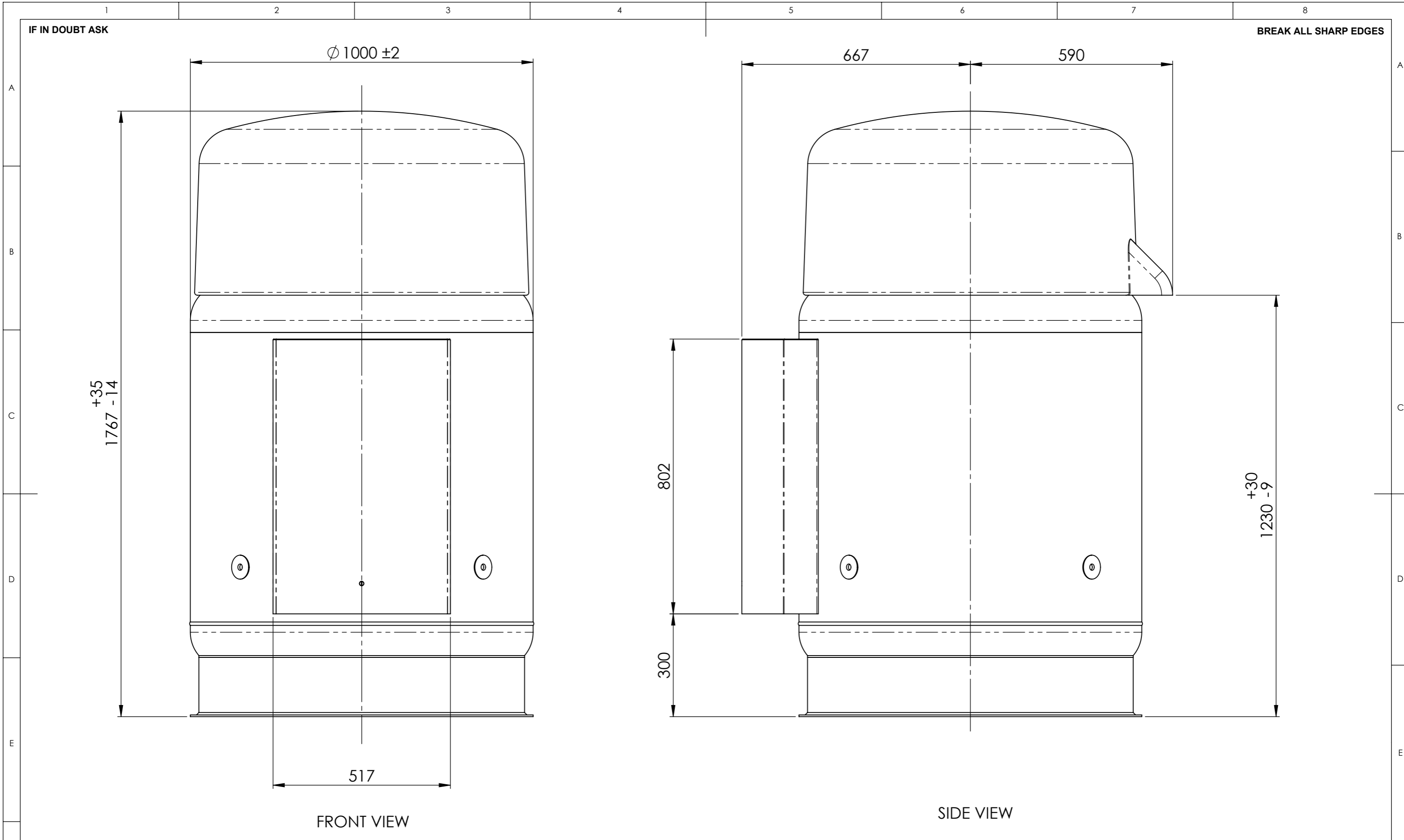
FINISH
 SEE PART DRAWINGS



SCALE	SHEET SIZE	MASS	PART No.	REVISION
1:10	A3	1850kg	7-01-0646	A



CALDERA HEAT BATTERIES LTD. (COMPANY No: 11020413)
 7 BRUNEL WAY, SEGENSWORTH EAST, FAREHAM,
 HAMPSHIRE PO15 5TX
 +44 (0)1489 565024
 www.caldera.co.uk
 guy.winstanley@caldera.co.uk



FRONT VIEW

SIDE VIEW

UNLESS OTHERWISE STATED: ALL DIMENSIONS: mm TOLERANCING: ISO 8015(AD) 1-5-00-001 THREAD CLASS: 6g6H TOLERANCES: LINEAR ±10 ANGULAR ±5°		Ra 3.2	MATERIAL SEE PART DRAWINGS	DESCRIPTION OUTLINE - WARMSTONE HEAT BATTERY			SHEET 2 of 2
DESIGNED JAMES HUTCHINSON	FINISH SEE PART DRAWINGS		SCALE 1:10	SHEET SIZE A3	MASS 1850kg	PART No. 7-01-0646	REVISION A
DRAWN JAMES HUTCHINSON	CHECKED GUY WINSTANLEY 24/08/2021						



CALDERA HEAT BATTERIES LTD. (COMPANY No: 11020413)
 7 BRUNEL WAY, SEGNSWORTH EAST, FAREHAM,
 HAMPSHIRE PO15 5TX
 +44 (0)1489 565024
 www.caldera.co.uk
 guy.winstanley@caldera.co.uk